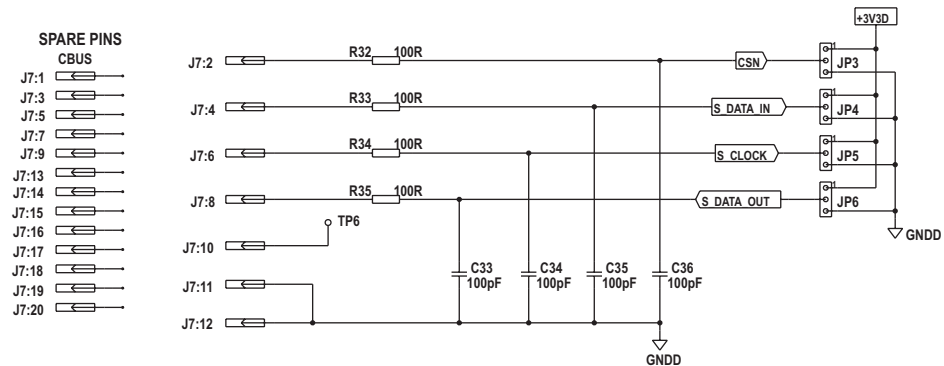




CML Microcircuits

COMMUNICATION SEMICONDUCTORS

High Resolution Circuit Diagrams for EV9710 August 2012



J9 connections
 Pin 2 TXI+
 Pin 4 TXI-
 Pin 5, 6 GND
 Pin 8 TXQ+
 Pin 10 TXQ-

